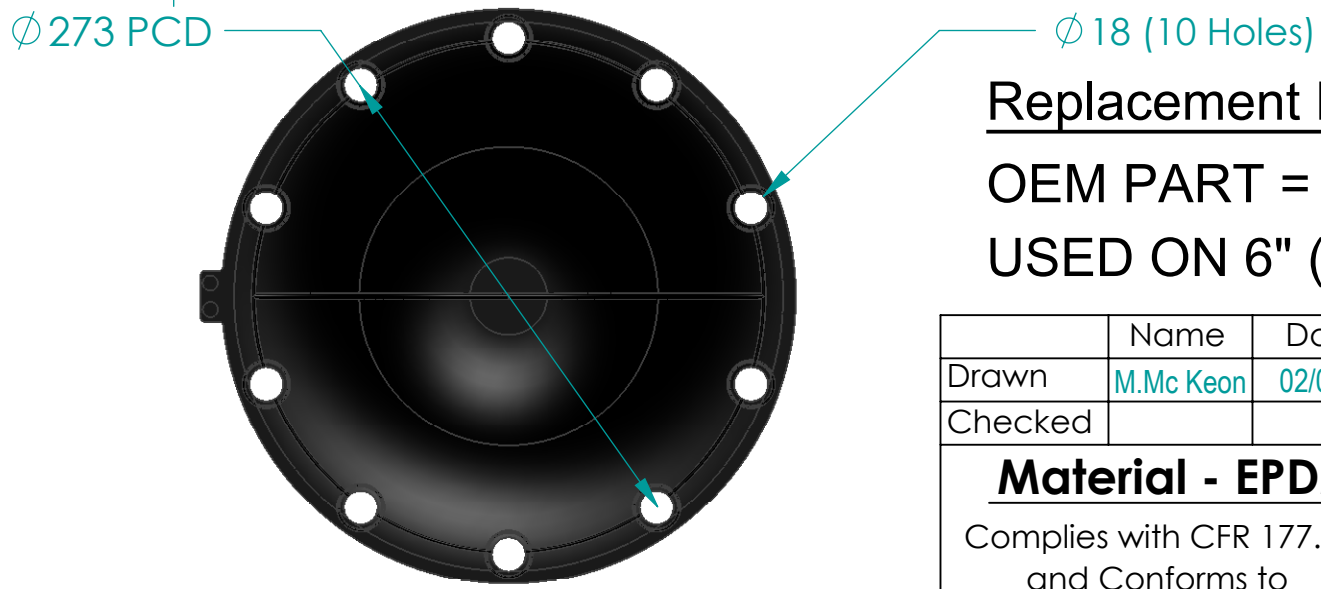
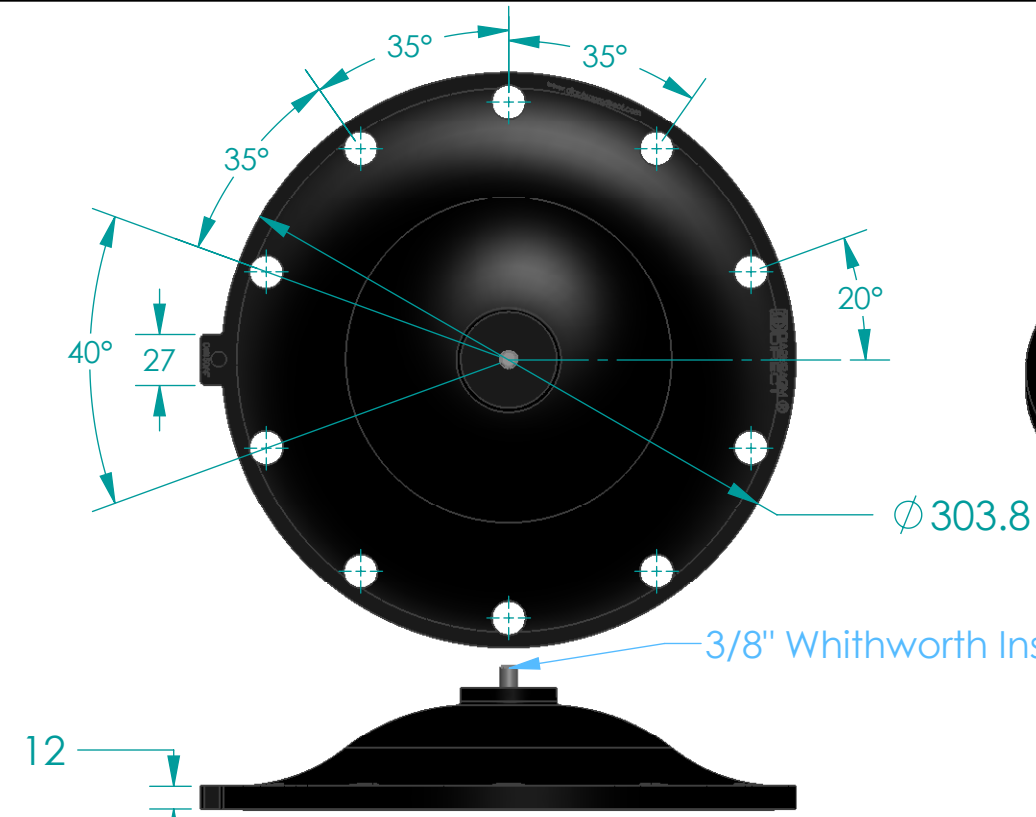


Revision History

Rev	Description	Date	Approved
D	New Design seal face & Part No. DA150SE	09/12/21	JB



Replacement Diaphragm for:-
OEM PART = DA150ER
USED ON 6" (DN150) Diaphragm Valve

	Name	Date	DIAPHRAGM DIRECT	
Drawn	M.Mc Keon	02/01/20		
Checked				
Material - EPDM			TITLE DD60-SE7	
Complies with CFR 177.2600 and Conforms to USP Class VI Biological Reactivity Tests Section #87 and #88			Size A	FOOT PRINT DIMENSIONS
			DD60-SE7	
SCALE: 1:4		Sheet 1 of 1		

Disclaimer - Diaphragm Direct® does not manufacture, represent, nor sell OEM valves or diaphragms manufactured by any other company. Diaphragm Direct® brand diaphragms are not sponsored by any other manufacturers. Any name, model, part number, brand, image, material or referral is for descriptive purposes only. Diaphragm Direct® brand replacement diaphragms are guaranteed to fit OEM equipment and meet or exceed OEM specifications. Diaphragm Direct® brand replacement diaphragms are covered by the standard Diaphragm Direct® limited product warranty.